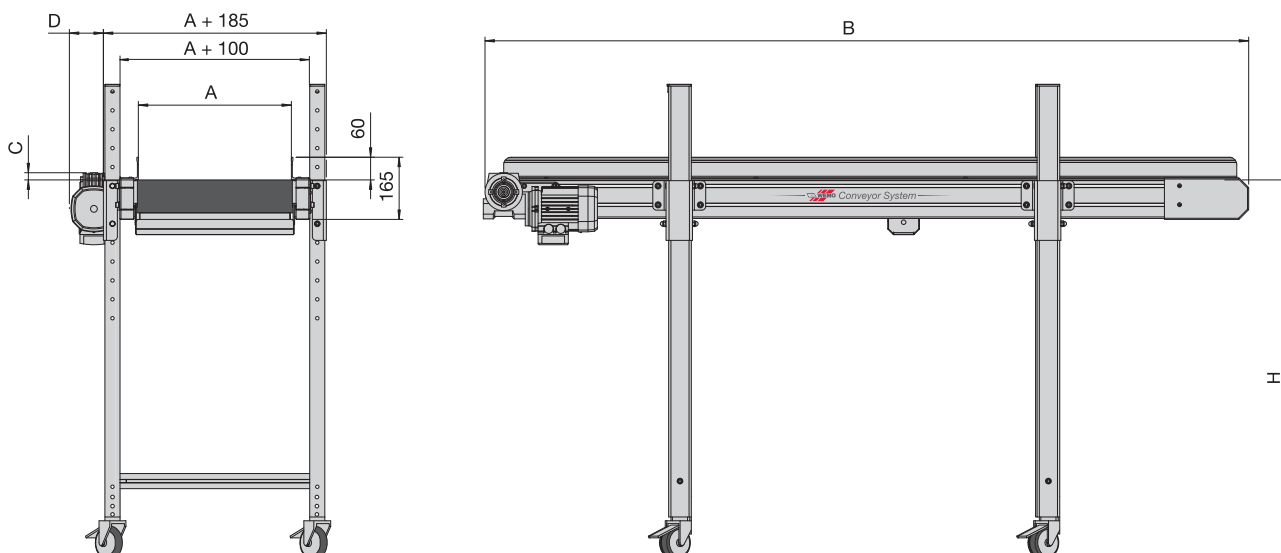


WCS-R

Horizontal flat belt conveyor



Dimensions	A	B	C	D	H
Min.	205	500	4**	83*	700
Max.	1 205	6 000	20*	101**	1 300

Standard model:

Belt widths: 200, 300, 400, 500, 600, 800, 1 000, 1 200 mm.

Lengths: from 700 mm to 6 000 mm in intervals of 500 mm.

Support legs with lockable wheels.

Adjustable support legs for belt heights of 700-1 200 mm.

Drive: AC motor 400V, 50 Hz with maintenance-free worm gear.

*Belt width 200-600 mm 0.12 kW.

**Belt width from 800 mm 0.18 kW.

Direct drive with floating mounting.

Belt speed: 5 m/min.

Transport weight max. 50 kg/m.

Frame in sturdy anodised aluminium profile with integrated cable channel.

Hard-wearing PVC belt. Temperature resistance -10°C to +70°C.

Lateral edges, height 60 mm on both sides. Easy to dismantle.