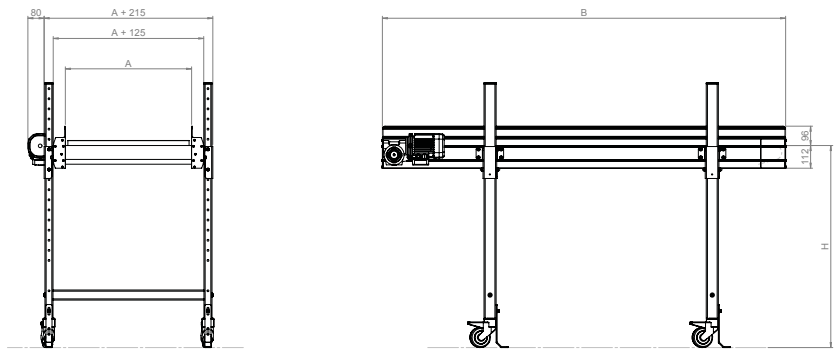


WCS-RL

Straight horizontal belt conveyor with plastic slatted belts



Dimensions	A	B	H
Min.	220	1 500	700
Max.	820	6 000	1 300

Standard model:

Belt widths: 220, 320, 420, 520, 620, 720, 820 mm.

Lengths: 1 500 to 6 000 mm in intervals of 500 mm.

Support legs with lockable wheels.

Adjustable support legs for belt heights of 700-1,300 mm.

Drive: AC motor 400V, 50 Hz with worm gear.

Belt width 220-820 mm 0.12 kW.

Direct drive with floating mounting.

Motor switch with emergency stop function.

Belt speed: 5 m/min.

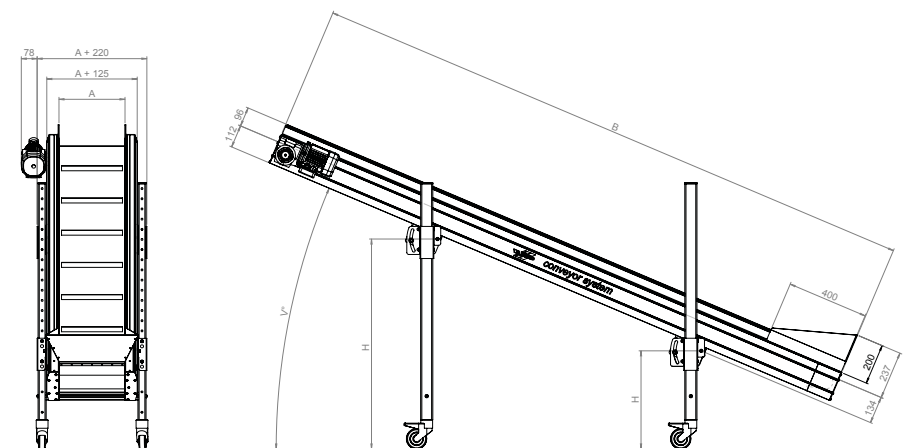
Frame made of hard-wearing anodised aluminium profile with integrated slide strips.

Plastic slatted belt made of hard-wearing polypropylene (PP), withstand temperatures up to 130°C.

Lateral edges: 60 mm.

WCS-RLVE/RLVD

Inclined flat slatted belt conveyor



Dimensions	A	B	V	H
Min.	220	1 500	0-30	700
Max.	820	6 000	0-30	1 300

Standard model:

Belt widths: 220, 320, 420, 520, 620, 720, 820 mm.

Lengths: 1 500 to 6 000 mm in intervals of 500 mm.

Support legs with lockable wheels.

Adjustable support legs for belt heights of 700-1 300 mm.

Drive: AC motor 400V, 50 Hz with worm gear.

Belt width 220-820 mm 0.12 kW.

Direct drive with floating mounting.

Motor switch with emergency stop function.

Belt speed: 5 m/min.

Frame made of hard-wearing anodised aluminium profile with integrated slide strips.

Plastic slatted belt made of hard-wearing polypropylene (PP), withstand temperatures up to 130°C.

Carrier height 25 mm, standard spacing 400 mm.

Lateral edges: 60 mm.

