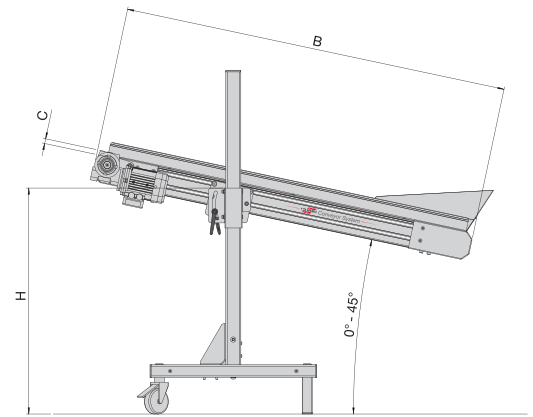
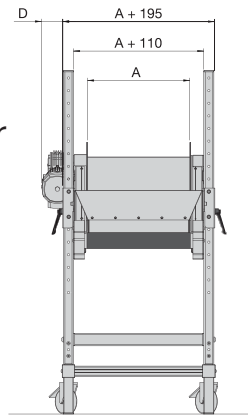


WCS-RVE

Angled straight belt conveyor with single support leg



Dimensions	A	B	C	D	H
Min.	305	1 000	20	83	700
Max.	405	2 000	20	83	1 300

Standard model:

Belt widths: 300, 400 mm.

Lengths: 700, 1,000, 1 500, 2 000 mm.

Support legs with lockable wheels.

Adjustable support legs for belt heights of 700-1 300 mm.

Drive: AC motor 0,12 kW 400V, 50 Hz with worm gear.

Direct drive with floating mounting. Belt speed: 5 m/min.

Transport weight max. 50 kg/m.

Frame in sturdy anodised aluminium profile with integrated cable channel.

Hard-wearing PVC belt.

Temperature resistance -10°C to +70°C.

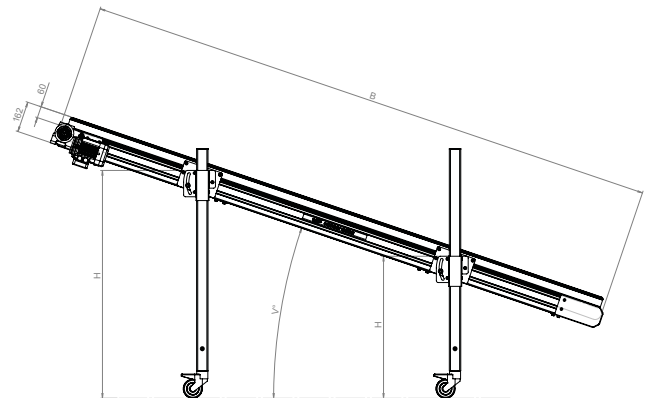
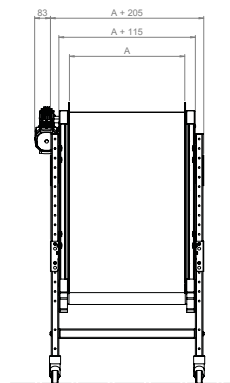
Lateral edges, height 60 mm on both sides.

Easy to dismantle.

As option we can also offer belt with shaped carrier.

WCS - RVD

Angled straight belt conveyor with double support legs



Dimensions	A	B	C	D	H
Min.	205	2 000	4**	83*	700
Max.	1 205	6 000	20*	101**	1 300

Standard model:

Belt widths: 200, 300, 400, 500, 600, 800, 1 000, 1 200 mm.

Lengths: 2 500 to 6 000 mm in intervals of 500 mm.

Support legs with lockable wheels.

Adjustable support legs for belt heights of 700-1 200 mm.

Drive: AC motor 400V, 50 Hz with worm gear.

*Belt width 200-600 mm 0.12 kW.

**Belt width from 800 mm 0.18 kW.

Direct drive with floating mounting.

Belt speed: 5 m/min.

Transport weight max. 50 kg/m.

Frame in sturdy anodised aluminium profile with integrated cable channel.

Hard-wearing PVC belt.

Temperature resistance -10°C to +70°C.

Lateral edges, height 60 mm on both sides.

Easy to dismantle.

As option we can also offer belt with shaped carrier.

