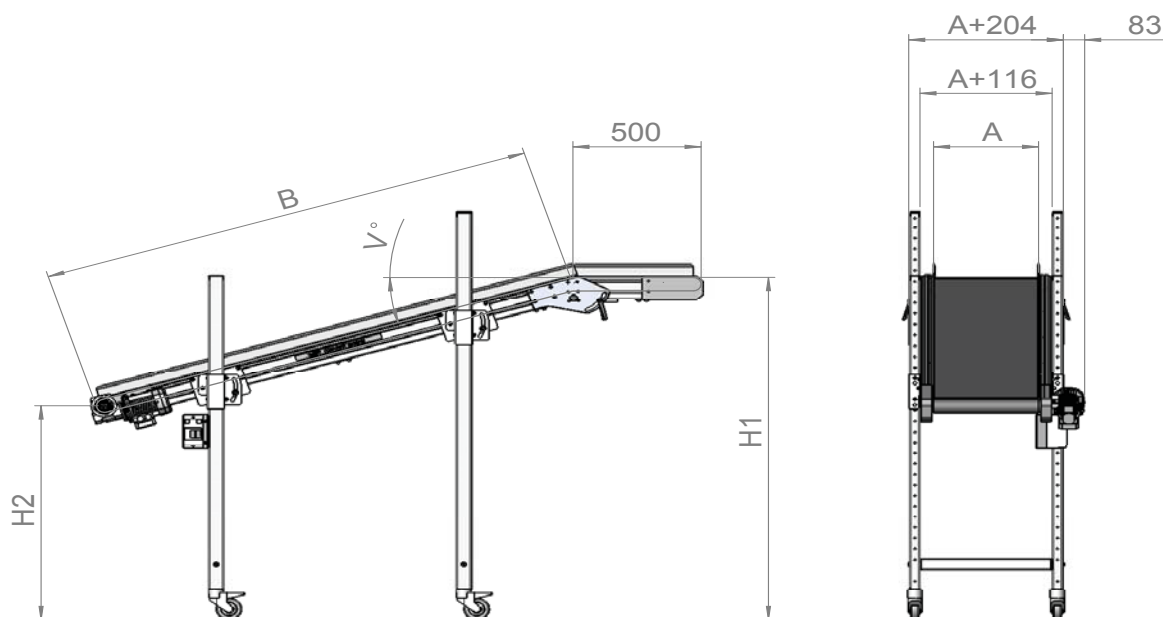


WCS-VRB

Inclined robot conveyorbelt



Dimensions	A	B	H1/H2
Min.	405	1500	1 300/700
Max.	605	4 000	2 000/1 300

Standard model:

Belt widths: 400, 500, 600 mm.

Horizontal part of conveyor with fixed length of 500 mm

Inclined lengths: from 1 500 mm to 4 000 mm in intervals of 500 mm.

Support legs with lockable wheels.

Adjustable support legs for belt heights of 700-1 200 mm.

Drive: AC motor 400V, 50 Hz with maintenance-free worm gear.

*Belt width 200-600 mm 0.12 kW.

Direct drive with floating mounting.

Belt speed: 5 m/min.

Transport weight max. 50 kg/m.

Frame in sturdy anodised aluminium profile with integrated cable channel.

Hard-wearing PVC belt. Temperature resistance -10°C to +70°C.

Lateral edges, height 60 mm on both sides. Easy to dismantle.